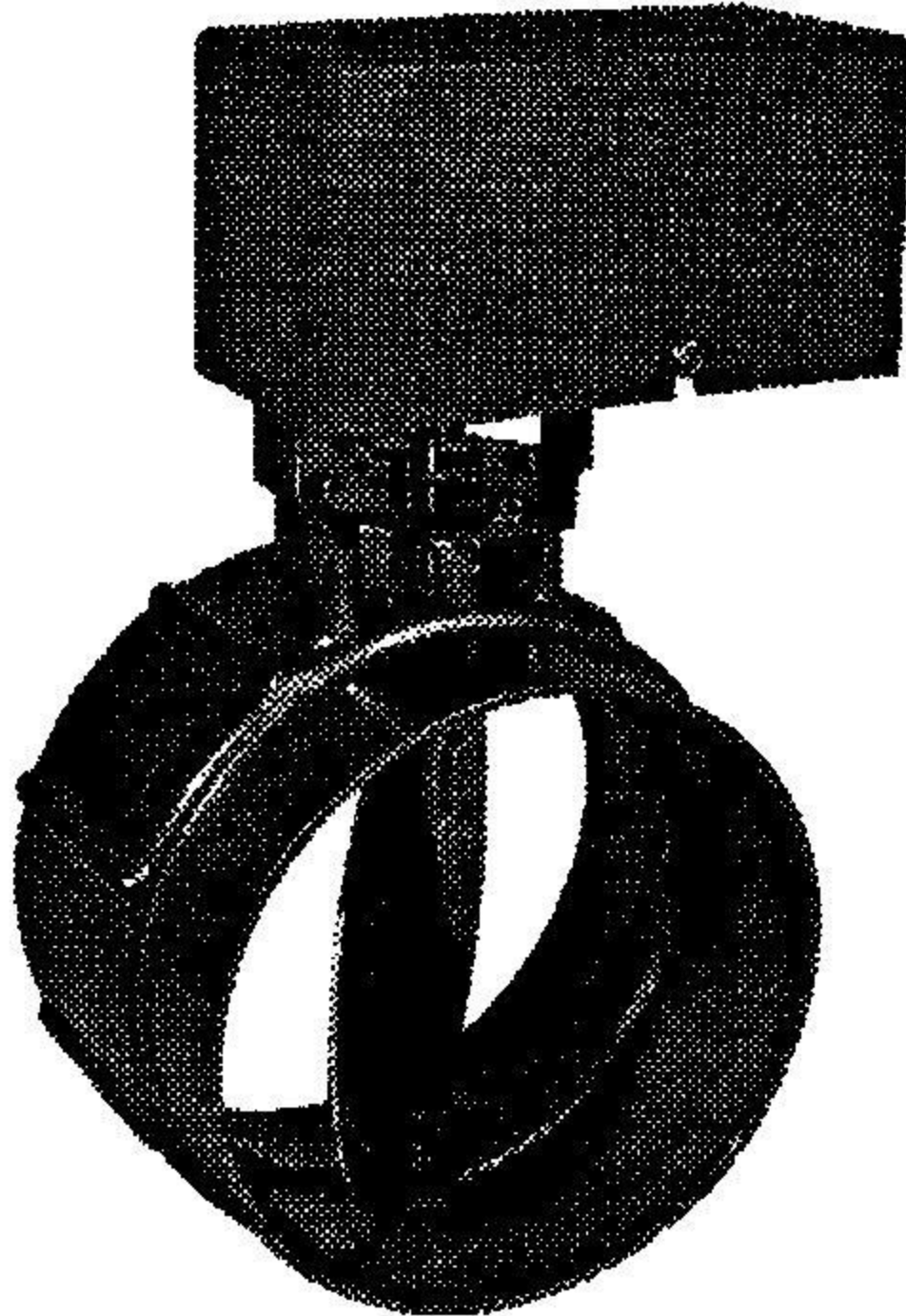


STACK PACK SL89 SERIES VENT/FLUE DAMPER

For Gas/Oil Fired (dual fuel) Boilers, Furnaces and Water Heaters.

An automatic, motorized stack damper that increases the efficiency of heating systems by reducing standby losses from the heating apparatus and the conditioned air space. May also be used as an all purpose on/off damper.

BENEFITS & SPECIAL FEATURES



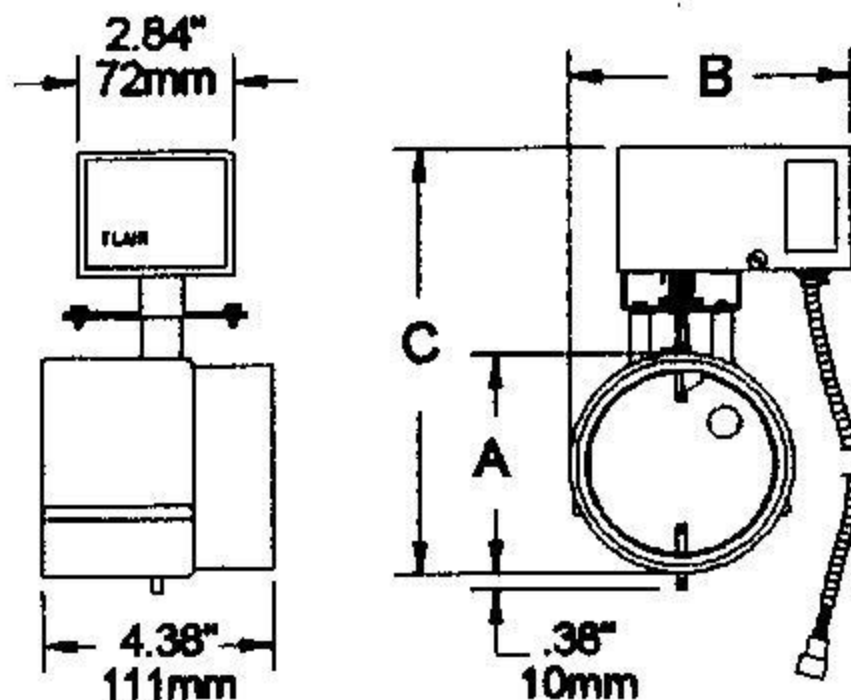
SL89 SERIES

- Tight closing damper vane (with provision for standing pilot) for maximum energy savings, resulting in unsurpassed D_o factors.
- Lightweight aluminum housing. Support straps not needed.
- Precision casting prevents interference between vane and flue pipe.
- Lower friction, universal round rod design for greater durability.
- Easy to service: replaceable actuator.
- Available in 24, 115 and 230 VAC.
- Patented dual interlock positively prevents burner operation when vane is in other than fully open position.
- Damper will always fail in the safe, open position on loss of power and will allow continued normal burner operation.
- Will start to close only when the burner is proven off.
- Optional 3 minute time delay with bypass switch allows use on dual fuel systems.
- Heavy duty, low temperature motor with integral clutch and lost motion feature to ensure longer life.
- Direct driven end switch for positive burner control.
- Flow direction and two vane position indicators.
- Pre-drilled for included mounting screws.
- 1,000° F (537.8° C) rating.

In the absence of any standard, these products are not tested or certified by national laboratories; however, they are built to the same standard of quality as approved units.

Covered by patent nos. 4,039,123 and 4,404,613

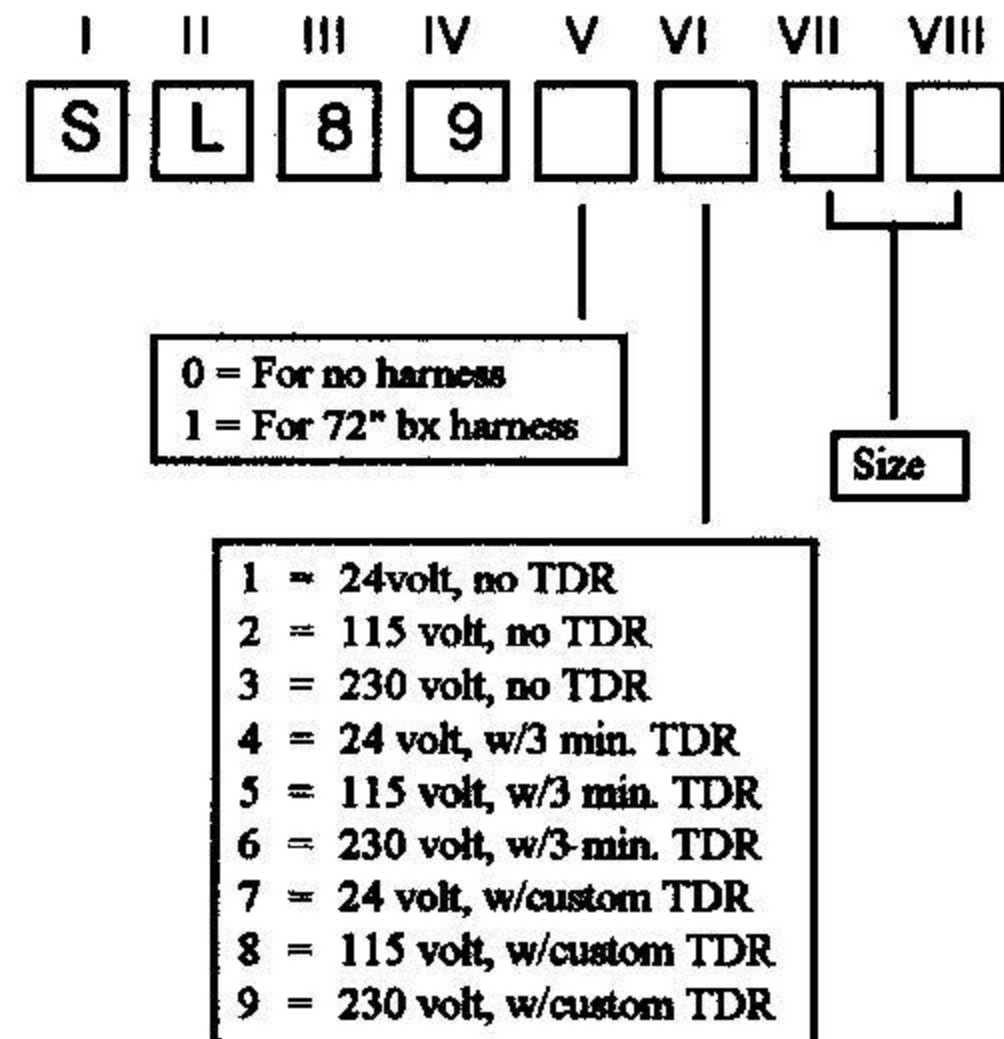
DIMENSIONS



VENT SIZE	A		B		C	
3"	3.29"	84mm	5.70"	146mm	8.25"	211mm
4"	4.29"	109mm	6.20"	158mm	9.25"	235mm
5"	5.29"	134mm	6.70"	170mm	10.25"	260mm
6"	6.29"	160mm	7.20"	183mm	11.25"	286mm
7"	7.29"	185mm	7.70"	196mm	12.25"	311mm
8"	8.29"	211mm	8.20"	208mm	13.25"	337mm
9"	9.29"	236mm	8.70"	221mm	14.25"	362mm
10"	10.29"	261mm	9.20"	234mm	15.25"	387mm
12"	12.29"	312mm	10.20"	259mm	17.25"	438mm
14"	14.29"	363mm	11.20"	284mm	19.25"	489mm
16"	16.29"	414mm	12.20"	310mm	21.25"	540mm
18"	18.29"	465mm	13.20"	335mm	23.25"	591mm
20"	20.29"	515mm	14.20"	361mm	25.25"	641mm
22"	22.29"	566mm	15.20"	386mm	27.25"	692mm
24"	24.29"	617mm	16.20"	412mm	29.25"	743mm
36"	36.29"	922mm	22.20"	564mm	41.25"	1048mm
48"	48.29"	1227mm	28.20"	716mm	53.25"	1353mm

ELECTRICAL

POWER REQUIREMENTS 24, 115, 230 VAC, 50/60 Hz.
 MINIMUM WIRING REQUIREMENTS 18 gauge 90° C.
 THERMOSTAT ANTICIPATION 0.1 amp. + gas valve current.
DAMPER MOTOR
 Power draw requirements 6 watts at 24 VAC when closed or closing.
 Torque (running) 20 in./oz. (.1412N/M) minimum at 20.4 volts.
 Timing opens in 3 seconds (0.05 min.), closes in 8 seconds (0.1333 min.)
 Time delay begins closing 4 seconds after signal to close.
 Optional: 3 minutes (or custom) with bypass switch.
 Characteristics power close, spring open.
 Type synchronous, hysteresis.
SWITCHING 2 precision snap acting micro switches, 10 amps resistive at 125/250 VAC.
P.C. BOARD 2 oz./ft.² one side copper, flame retardant.



SPECIFICATIONS

X=see chart at top right

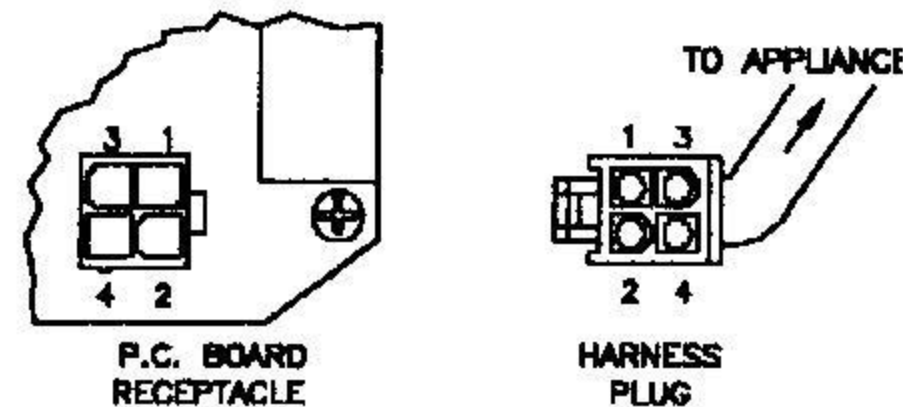
NOTE: Do based on dampers without time delay.

PART NO.	VENT SIZE	SHIPPING WT. (lbs.)	Electronic Ignition		Standing Pilot			
			FREE AREA	D. FACTOR (NO KNOCKOUT)	KNOCKOUT DIAMETER	KNOCKOUT AREA	FREE AREA	D. FACTOR (KNOCKOUT)
SL891X03	3"	2.6	.0003	.0000	0.798	0.5001	0.5004	
SL891X04	4"	2.9	.0003	.0000	0.798	0.5001	0.5004	
SL891X05	5"	3.2	.0003	.0000	0.798	0.5001	0.5004	0.0401
SL891X06	6"	3.5	.0003	.0000	0.798	0.5001	0.5004	0.0271
SL891X07	7"	3.8	.0003	.0000	0.798	0.5001	0.5004	0.0196
SL891X08	8"	4.1	.0003	.0000	0.798	0.5001	0.5004	0.0148
SL891X09	9"	4.4	.0003	.0000	0.798	0.5001	0.5004	0.0116
SL891X10	10"	4.7	.0003	.0000	2 X 0.798	1.0002	1.0005	0.0188
SL891X12	12"	5.2	.0003	.0000	2 X 0.798	1.0002	1.0005	0.0129
SL891X14	14"	2.9	.0003	.0000	2 X 0.798	1.0002	1.0005	0.0094
SL891X16	16"	3.2	.0003	.0000	2 X 0.798	1.0002	1.0005	0.0072
SL891X18	18"	3.5	.0003	.0000	2 X 0.798	1.0002	1.0005	0.0056
SL891X20	20"	3.8	.0003	.0000	2 X 0.798	1.0002	1.0005	0.0045
SL891X22	22"	4.1	.0003	.0000	2 X 0.798	1.0002	1.0005	0.0037
SL891X24	24"	4.4	.0003	.0000	2 X 0.798	1.0002	1.0005	0.0031
SL891X36	36"	4.7	.0003	.0000	2 X 0.798	1.0002	1.0005	0.0014
SL891X48	48"	5.2	.0003	.0000	2 X 0.798	1.0002	1.0005	0.0080

AVAILABLE PLUG-IN WIRING HARNESS

SL89 Dampers incorporate a receptacle for quick, easy and trouble free connection to the wiring harness. A 72" BX harness is packaged with the damper. Other harnesses are available to conform to special requirements. Custom lengths are available by special order. See harness specification sheets or consult FLAIR for details.

RECEPTACLE/PLUG WIRING DIAGRAM



PART NO.	DESCRIPTION
AH184172	Plug on damper end. Stripped wires on appliance end. BX cable - 72" length.
AH184204	Adapter is to be used when receptacle equipped. Stack Packs are to be wired to non-plug-in harnesses. Consists of damper connector, 4" leads and wire nuts.

WIRE	DESCRIPTION OF OPERATION
1	24 VAC input
2	24 VAC input
3	To gas valve
4	To thermostat or controller

Flair pursues a policy of constant improvement. For this reason, all specifications are subject to change without notice.



FLAIR INTERNATIONAL CORPORATION

600 Old Willets Path • Hauppauge, New York 11788 • Tel: (516) 234-3600 • Fax: (516) 234-3610