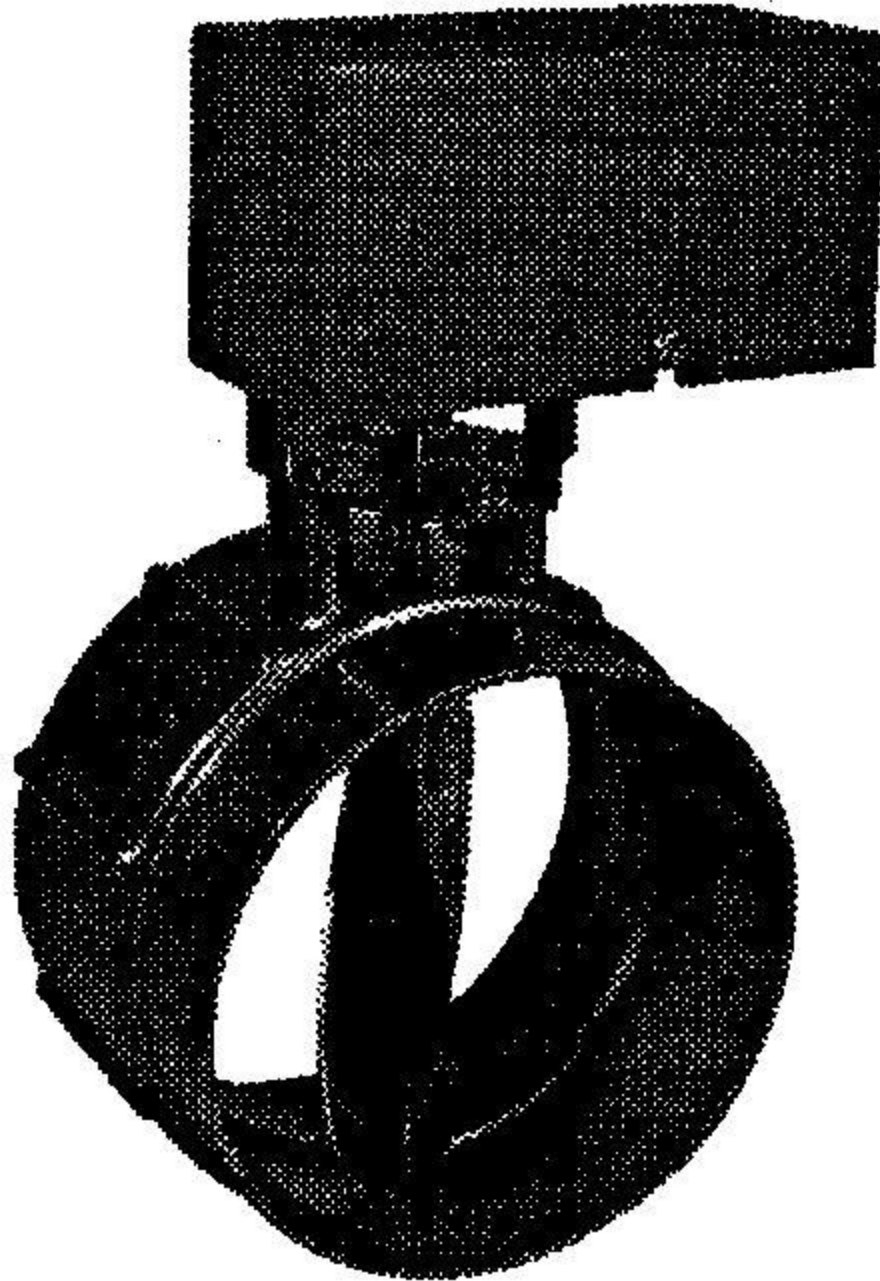


STACK PACK SL32 SERIES VENT DAMPER

For Oil Fired Boilers, Furnaces and Water Heaters with Line Voltage Control Circuits.

An automatic, motorized stack damper that increases the efficiency of heating systems by reducing standby losses from the heating apparatus and the conditioned air space.

BENEFITS & SPECIAL FEATURES



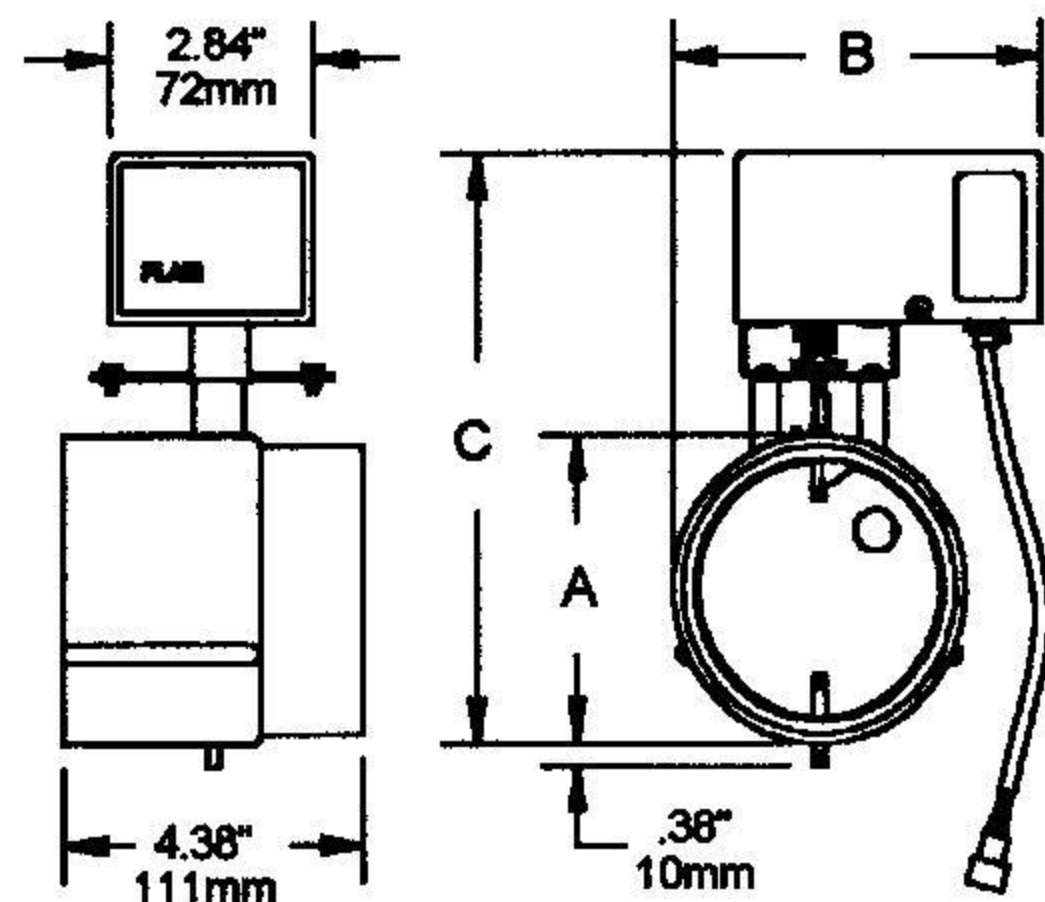
SL32 SERIES



Covered by patents nos. 4,039,123 and 4,404,613

DIMENSIONS

VENT SIZE	A		B		C	
	IN	MM	IN	MM	IN	MM
3"	3.29"	84mm	5.70"	146mm	8.25"	211mm
4"	4.29"	109mm	6.20"	158mm	9.25"	235mm
5"	5.29"	134mm	6.70"	170mm	10.25"	260mm
6"	6.29"	160mm	7.20"	183mm	11.25"	286mm
7"	7.29"	185mm	7.70"	196mm	12.25"	311mm
8"	8.29"	211mm	8.20"	208mm	13.25"	337mm
9"	9.29"	236mm	8.70"	221mm	14.25"	362mm
10"	10.29"	261mm	9.20"	234mm	15.25"	387mm
12"	12.29"	312mm	10.20"	259mm	17.25"	438mm



- Includes 3 minute post-combustion purge. Other time delays from 1 sec. to 24 hours available.
- Tight closing damper vane for maximum energy savings, resulting in unsurpassed zero bypass.
- Lightweight aluminum housing. Support straps not needed.
- Precision casting prevents interference between vane and flue pipe.
- Lower friction, universal round rod design for greater durability.
- Easy to service: replaceable actuator.
- Patented dual interlock positively prevents burner operation when vane is in other than fully open position.
- Damper will always fail in the safe open position on loss of power and will allow continued normal burner operation.
- Will start to close only when the burner is proven off and time delay has elapsed.
- Heavy duty, low temperature motor with integral clutch and lost motion feature to ensure longer life.
- Direct driven end switch for positive burner control.
- Attractive high temperature plastic cover.
- Quick connect receptacle for easy, safe and reliable attachment to optional FLAIR harness.
- 725° Fahrenheit flue damper rating.
- Flow direction and two vane position indicators.
- Pre-drilled for included mounting screws.

ELECTRICAL

POWER REQUIREMENTS 115 VAC, 50/60 Hz control and power circuits - no relay or transformer required.
 MINIMUM WIRING REQUIREMENTS 18 gauge 90° C.
 THERMOSTAT ANTICIPATION 0.1 amp.
 DAMPER MOTOR
 Power draw requirements 5 watts at 115 VAC when closed or closing.
 Torque (running) 30 in./oz. (.21 N/M) minimum at 97.8 volts.
 Timing opens in 3 seconds (0.05 minutes), closes in 8 seconds (0.1333 min.)
 Time delay begins closing 3 minutes after signal to close.
 Characteristics power close, spring open.
 Type synchronous, hysteresis.
 SWITCHING 2 precision snap acting micro switches, 10 amps resistive at 125/250 VAC.
 P.C. BOARD 2 oz./ft.² one side copper, flame retardant.

SPECIFICATIONS

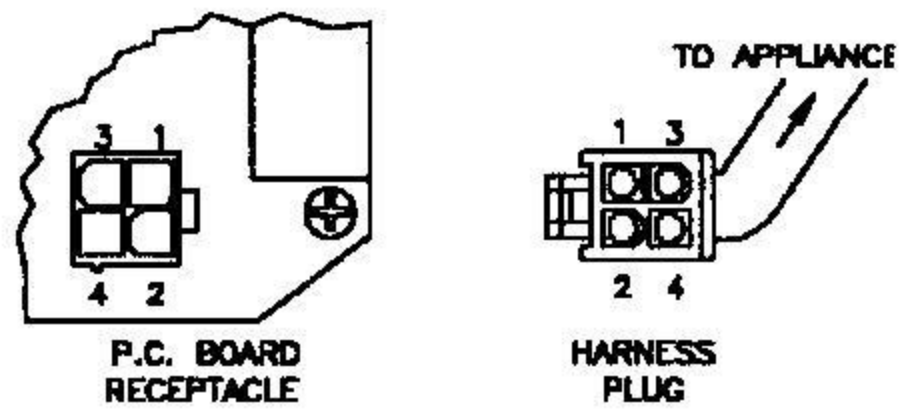
PART NO.*	VENT SIZE	SHIPPING WT. (lbs.)	NO PURGE RELIEF HOLE		WITH PURGE RELIEF HOLE(S)			
			FREE AREA	D. FACTOR (NO KNOCKOUT)	KNOCKOUT DIAMETER	KNOCKOUT AREA	FREE AREA	D. FACTOR (KNOCKOUT)
SL320003	3"	2.7	0.0003	0	0.798	0.5001	0.5004	.0720
SL320004	4"	2.9	.0003	.0000	0.798	0.5001	0.5004	.0650
SL320005	5"	3.2	.0003	.0000	0.798	0.5001	0.5004	.0400
SL320006	6"	3.5	.0003	.0000	0.798	0.5001	0.5004	.0271
SL320007	7"	3.8	.0003	.0000	0.798	0.5001	0.5004	.0196
SL320008	8"	4.1	.0003	.0000	0.798	0.5001	0.5004	.0148
SL320009	9"	4.4	.0003	.0000	0.798	0.5001	0.5004	.0116
SL320010	10"	4.7	.0003	.0000	2 X 0.798	1.0002	1.0005	.0188
SL320012	12"	5.2	.0003	.0000	2 X 0.798	1.0002	1.0005	.0129

AVAILABLE PLUG-IN WIRING HARNESS

SL32 Dampers incorporate a receptacle for quick, easy and trouble free connection to the wiring harness. AH20 Series harnesses contain an industry standard plug on the appliance end. Other series are available to conform to the appliance manufacturer's special requirements. Custom lengths are available by special order. See harness specification sheets or consult FLAIR for details.

PART NO.	DESCRIPTION
AH184148	Plug on damper end. Stripped wires on appliance end. BX cable - 72" length.
AH184160	Plug on damper end. Stripped wires on appliance end. BX cable - 72" length.
AH184172	Plug on damper end. Stripped wires on appliance end. BX cable - 72" length.
AH184184	Plug on damper end. Stripped wires on appliance end. BX cable - 72" length.
AH184196	Plug on damper end. Stripped wires on appliance end. BX cable - 72" length.
AH184204	Adapter is to be used when receptacle equipped Stack Packs are to be wired to non-plug-in harnesses. Consists of damper connector, 4" leads and wire nuts.

RECEPTACLE/PLUG WIRING DIAGRAM



WIRE	DESCRIPTION OF OPERATION
1	115 VAC input
2	115 VAC input
3	Ignition
4	Aquastat, controller

REPLACEMENT PARTS & ACCESSORIES

PART NO.	DESCRIPTION
RP592000	Replacement actuator.
RP100100	Actuator cover.
RP103010	Vane knockout plug.

* To include a bx cable harness with stripped wires on appliance end, substitute the numbers "48", "60", "84", or "96" in place of the first "00" of the damper part number.

Flair pursues a policy of constant improvement. For this reason, all specifications are subject to change without notice.



FLAIR

FLAIR INTERNATIONAL CORPORATION
 600 Old Willets Path • Hauppauge, New York 11788 • Tel: (516) 234-3600 • Fax: (516) 234-3610